



Linde Material Handling

Linde



Order Picker

N20 D | N20 D HP

Capacity 1.0 t | Series 1115

Powerful double-deck order picker

- Thanks to the double forks, two pallets can be loaded and transported simultaneously
- Ergonomic lift enables the operator to pick even heavy goods at a height that is gentle on the back
- Separate levels are ideal for transporting heavy and pressure-sensitive goods
- Fully suspended operating platform protects against shocks and vibrations while driving
- Operator's platform in front of the battery ensures maximum maneuverability and a clear view of the warehouse environment



Here you can find more content via your smartphone: [Linde Augmented Reality App](#)



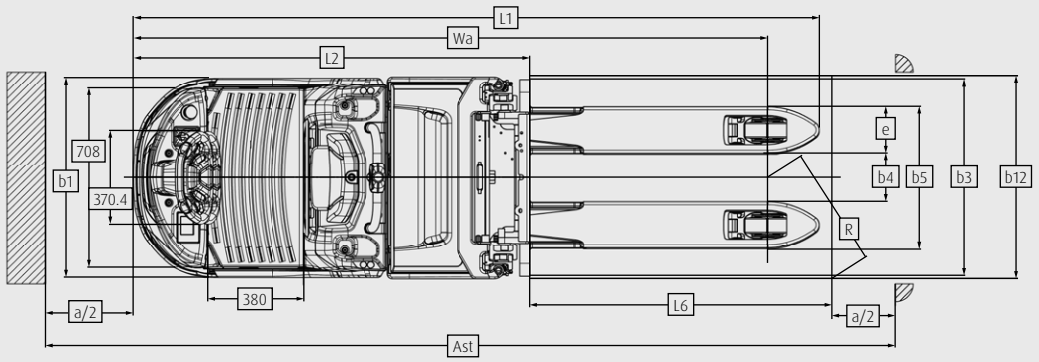
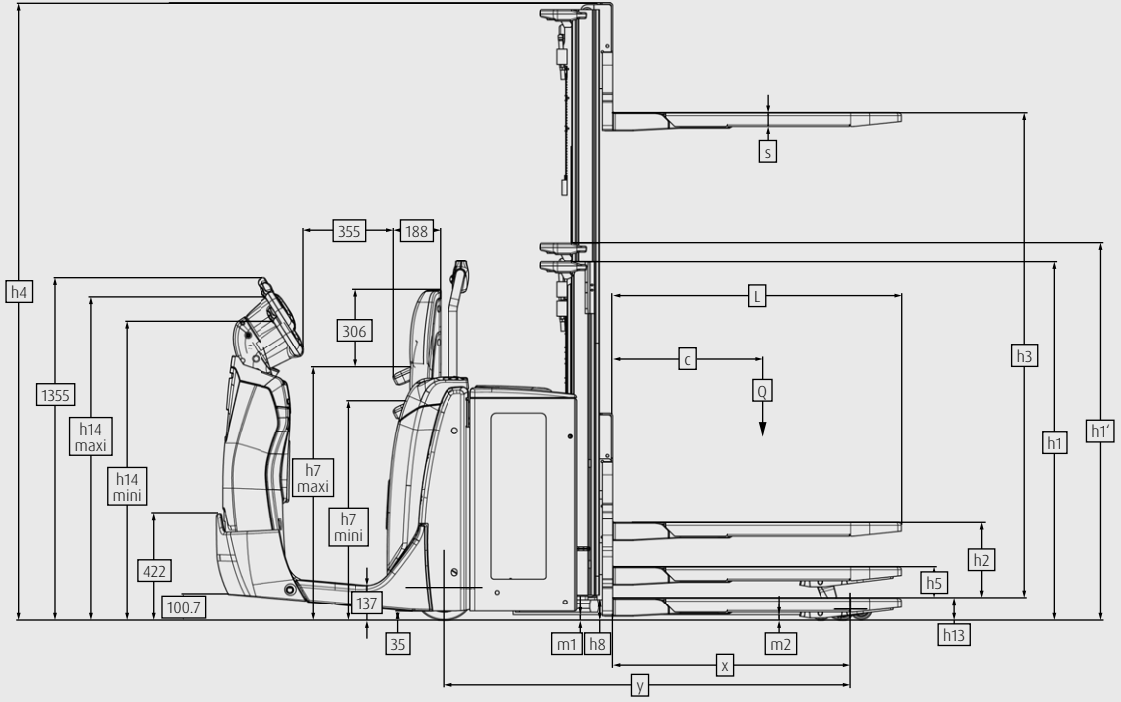
TECHNICAL DATA (According to VDI 2198)

	Characteristics		Weights		Wheels / Tyres		Dimensions		Performance		Drive		Others	
	Item No.	Description	Unit	Value	Value	Value	Value	Value	Value	Value	Value	Value	Value	Value
1.1	Manufacturer			Linde		Linde								
1.2	Model			N20 D		N20 D HP								
1.2.a	Series			1115-00		1115-00								
1.3.	Power Unit			Battery		Battery								
1.4	Operation			Preparation		Preparation								
1.5	Load capacity / Load, main lift only; main lift / initial lift; initial lift only	Q (t)		1.2; 0.8 / 1.2; 2.0 ¹⁾		1.2; 0.8 / 1.2; 2.0 ¹⁾								
1.6	Load centre	c (mm)		600		600								
1.8	Axle centre to fork face	x (mm)		944 / 874 ²⁾³⁾		944 / 874 ²⁾³⁾								
1.9	Wheelbase	y (mm)		1611 / 1541 ²⁾⁴⁾		1611 / 1541 ²⁾⁴⁾								
2.1	Service weight	(kg)		1417		1417								
2.2	Axle load with load, front/rear	(kg)		1560 / 1851		1503 / 1914								
2.3	Axle load without load, front/rear	(kg)		1152 / 265 ²⁾		1105 / 312 ²⁾								
3.1	Tyres rubber, SE, pneumatic, polyurethane			R + P / P; P + P / P		R + P / P; P + P / P								
3.2	Tyre size, front			ø 254 x 102		ø 254 x 102								
3.3	Tyre size, rear			2x ø 85 x 60 (ø 85 x 85) ⁵⁾		2x ø 85 x 60 (ø 85 x 85) ⁵⁾								
3.4	Additional wheels			2x ø 140 x 50		2x ø 125 x 60								
3.5	Wheels, number front / rear (x = driven)			1x + 1/2 (1x + 1/4) ⁵⁾		1x + 2/2 (1x + 2/4) ⁵⁾								
3.6	Track width, front	b10 (mm)		491		572								
3.7	Track width, rear	b11 (mm)		380		380								
4.2	Height of mast, lowered	h1 (mm)		1415 ⁶⁾		1415 ⁶⁾								
4.3	Free lift	h2 (mm)		150 ⁶⁾		150 ⁶⁾								
4.4	Lift	h3 (mm)		1924 ⁶⁾		1924 ⁶⁾								
4.5	Height of mast, extended	h4 (mm)		2444 ⁶⁾		2444 ⁶⁾								
4.6	Initial lift	h5 (mm)		115		115								
4.8	Height of seat / stand on platform	h7 (mm)		867 / 000		867 / 000								
4.10	Height of wheel arms	h8 (mm)		80		80								
4.15	Height at the end of the forks in the lowered position	h13 (mm)		86		86								
4.19	Overall length	l1 (mm)		2717 ⁶⁾		2717 ⁶⁾								
4.20	Length to fork face	l2 (mm)		1570 ⁶⁾		1570 ⁶⁾								
4.21	Overall width	b1 (mm)		800		800								
4.22	Fork dimensions	s / e / l (mm)		71 / 180 / 1150		71 / 180 / 1150								
4.23	Load arm dimensions	s / e / l (mm)		75 / 150 / 1115		75 / 150 / 1115								
4.24	Width of fork carriage	b3 (mm)		780		780								
4.25	Width over forks	b5 (mm)		560		560								
4.26	Internal width of the load arm	b4 (mm)		255		255								
4.31	Ground clearance, below mast	m1 (mm)		20 / 145 ²⁾		20 / 145 ²⁾								
4.32	Ground clearance, centre of wheelbase	m2 (mm)		20 / 145 ²⁾		20 / 145 ²⁾								
4.33	Load dimensions b12 x l6	b12 x l6 (mm)		800 x 1200 lengthwise		800 x 1200 lengthwise								
4.34	Aisle width with predetermined load dimensions	Ast (mm)		3063 / 3038 ⁴⁾⁷⁾		3063 / 3038 ⁴⁾⁷⁾								
4.34.1	Aisle width with pallet 1000 x 1200 across forks	Ast (mm)		3190 / 3161 ⁴⁾⁷⁾		3190 / 3161 ⁴⁾⁷⁾								
4.34.2	Aisle width with pallet 800 x 1200 across forks	Ast (mm)		3277 / 3242 ⁴⁾⁷⁾		3277 / 3242 ⁴⁾⁷⁾								
4.35	Turning radius	Wa (mm)		2515 / 2445 ⁴⁾		2515 / 2445 ⁴⁾								
5.1	Travel speed, with / without load	(km / h)		10 / 12		10 / 12								
5.1.1	Travel speed, backward, with / without load	(km / h)		10		10								
5.2	Lifting speed, initial lift, with / without load	(m / s)		0.06 / 0.07 ⁶⁾		0.06 / 0.07 ⁶⁾								
	Lifting speed, main lift, with / without load	(m / s)		0.12 / 0.2 ⁶⁾		0.12 / 0.2 ⁶⁾								
5.3	Lowering speed, initial lift, with / without load	(m / s)		0.06 / 0.08 ⁶⁾		0.06 / 0.08 ⁶⁾								
	Lowering speed, main lift, with / without load	(m / s)		0.3 / 0.3 ⁶⁾		0.3 / 0.3 ⁶⁾								
5.8	Climbing ability, with / without load	(m / s)		14 / 20		14 / 20								
5.9	Acceleration time (10 m), with / without load	(s)		6 / 4.8		6 / 4.8								
5.10	Service brake			Electro-hydraulic		Electro-hydraulic								
6.1	Drive motor rating S2 60 min	(kW)		3.0		3.0								
6.2	Lift motor rating at S3 10 %	(kW)		2.2		2.2								
6.3	Battery according to DIN 43535 / 36 A / B / C / no			45535 (3 PzS Lateral Change)		45535 (3 PzS Lateral Change)								
6.4	Battery voltage / capacity (5 h)	(V / Ah)		24 / 375		24 / 375								
6.5	Battery weight (± 10 %)	(kg)		290		290								
6.6	Energy consumption according to VDI cycle normalized	(kWh / h)		1.15		1.15								
6.7	Turnover output according to VDI cycle	(T / h)		47		47								
6.8	Consumption according to turnover output	(kWh / h)		1.71		1.71								
8.1	Type of drive control			LAC		LAC								
10.7	Noise level at operator's ear	(dB(A))		< 85		< 85								
	Level of vibration felt by the operator	(m / s ²)		0.7		0.7								

1) Pallet truck capacity on the fork arms, with initial lift option
 2) Low / high position fork arm
 3) Value with a Standard mast

4) With battery line 6.3 (+ 75 mm for 4 PzS)
 5) Figures in (): Truck equipped with tandem load wheels
 6) Value for a mast 1924S, other value see mast tables

7) Ast = Wa + R + a, Safety distance a = 200 mm



MAST TABLES

STANDARD MAST (in mm)

Lift	h3: 1574		h3: 1724		h3: 1924	
Height measurements	h1: 1240	h1#: 1315	h1: 1315	h1#: 1390	h1: 1415	h1#: 1490
	h2: 150	h3: 1574	h2: 150	h3: 1724	h2: 150	h3: 1924
	h4: 2094	h5: 115	h4: 2244	h5: 115	h4: 2444	h5: 115
Model						
N20 D	○		○		○	
N20 D HP	○		○		○	

○ Optional equipment – Not available

h1: Height of mast, lowered

h3: Lift

h1#: Closed height (with free lift at 150 mm)

h4: Height of mast, extended

h2: Free lift

h5: Initial lift



STANDARD AND OPTIONAL EQUIPMENT

Model/Equipment		N20 D	N20 D HP
Safety	Front casted steel bumper	●	●
	Front rubber protection (mounted on the casted steel bumper)	○	○
	Linde BlueSpot™	○	○
	Automatic speed reduction when cornering	●	●
	Front feet protection	○	○
	Mast stop landing (300 mm)	●	●
	Key switch	●	●
	Log in PIN code	○	○
Service	CAN bus technology	●	●
Digitalisation	Linde connect	○	○
	ac: access control PIN	○	○
	ac: access control RFID	○	○
	Data transfer Wifi	○	○
	Data transfer Online	○	○
	dt: crash detection	○	○
	an: usage analysis	○	○
	Bluetooth USB Stick	○	○
	dt: trouble codes	○	○
Operation / Load Handling	Inching control (forward only or forward/backward)	○	○
	Rear initial and mast lift control	●	●
	Low Speed if initial lift low	●	●
	Initial lift electrical stop sensor	●	●
	Soft landing on forks	○	○
	Mast pressure sensor	●	●
	Load backrest 1000 mm	○	○
Environment	Cold store -35°C (in/out)	○	○
Workplace	Fully suspended operator compartment	●	●
	Height adjustable Linde Steering Wheel	○	○
	Knee protection	●	●
	Multifunction coloured display hour meter, maintenance indication, battery discharge indicator and internal fault code indication	●	●
	Fixed roundly shaped backrest	●	●
	Height adjustable backrest incl. foldable seating support	○	○
	Front bow	○	○
	Vertical central pole	○	○
	Support data terminal and power supply cable 24 V	○	○
	Support clipboard DIN A4 and support for scanner	○	○
	Shrink wrap pole and rear bin	○	○
	Rear lower storage	○	○
Mast	Mast protection: polycarbonate	●	●
	Mast protection: mesh	○	○
Attachment / Forks	Fork carriage: 560 mm	●	●
	Fork length: 1150 mm	●	●
	Overhang: 188 mm	●	●
Axles and Tyres	Drive wheel polyurethane	●	●
	Drive wheel cushion rubber, non marking and wet grip	○	○
	Single load wheels polyurethane	●	●
	Tandem load wheels polyurethane (greasable)	○	○
	Standard castor wheel	●	—
	Castor wheel with spring and cylinder	—	●
Drive and Brake-System	Hydraulic castor wheels	—	○
	Electromagnetic braking system	●	●
	Battery compartment, side change 3 PzS (345 Ah/465 Ah), incl. ergonomic lever and metal rollers	●	●
	Battery compartment, side change 4 PzS (460 Ah/620 Ah), incl. ergonomic lever and metal rollers	○	○
	Battery compartment, Li-ION battery 4.5 kWh (205 Ah)/9.0 kWh (410 Ah) incl. side plug for opportunity charging	○	○
Li-ION 24 V-Charger	○	○	

● Standard equipment ○ Optional equipment — Not available

CHARACTERISTICS



Linde BlueSpot™

Safety

- Rounded edges of steel chassis to minimize risks while driving
- Automatic speed reduction in curves for safe travel through the warehouse
- Special position of the operator's platform in front of the battery gives the driver an optimum all-round view of the warehouse environment
- Robust steel bumper protects vehicle frame and operating platform
- Additional options such as front LED and Linde BlueSpot™ maximize safety



Low step in height

Ergonomics

- Low entry height of only 137 mm makes it easier to step in and out of the truck frequently
- For short distances, the operator can comfortably control the vehicle from both sides using the optional pedestrian function
- Fully suspended operator's compartment reduces vibrations and shocks transmitted to steering wheel and platform
- An additional rear handle ensures optimum support when reversing or when stepping onto the truck



Intuitive Linde steering wheel

Handling

- Ergonomic lift allows operator to fill two pallets simultaneously and transport pressure sensitive goods separately
- 3 kW three-phase AC motor for effective acceleration to a top speed of 12 km/h
- Initial lift facilitates transport over ramps and uneven surfaces
- Depending on application requirements, lead-acid or optionally lithium-ion batteries are available
- Adjustable Linde Steering Wheel provides intuitive operation and quick overview of key vehicle functions



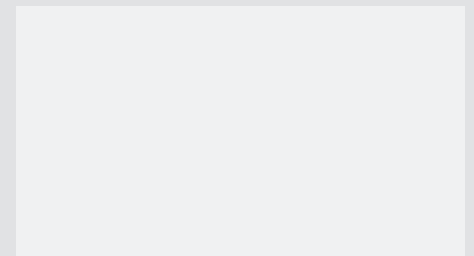
Front casted steel bumper

Service

- Up to 1000 operating hours without service check
- Maintenance-free three-phase AC technology and adjustment-free brakes reduce service costs
- Clearly arranged cable harnesses and cables for easy and quick maintenance
- Vehicle parameters can be read out via CAN bus connection via laptop
- Robust cast-steel bumper on the front protects the operator's compartment and reduces collision damage

Subject to modification in the interest of progress. Illustrations and technical details could include options and not binding for actual constructions. All dimensions subject to usual tolerances.

Presented by:



Linde Material Handling GmbH
Carl-von-Linde-Platz | 63743 Aschaffenburg | Germany
Phone + 49 6021 99 0 | Fax + 49 6021 99 1570
www.linde-mh.com | info@linde-mh.com

Printed in Germany | 089.e.0,5.0819.lndA.Ki